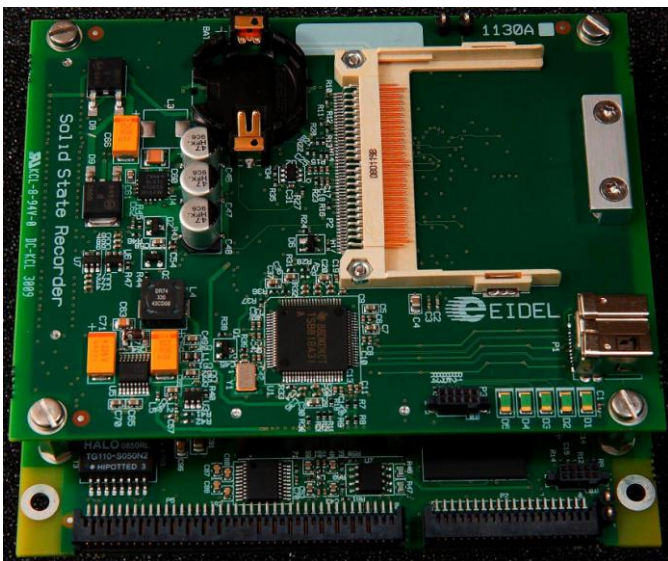


EDDAS – Solid State Recorder (SSR) Module

EE 250-5305 Solid State Recorder Module

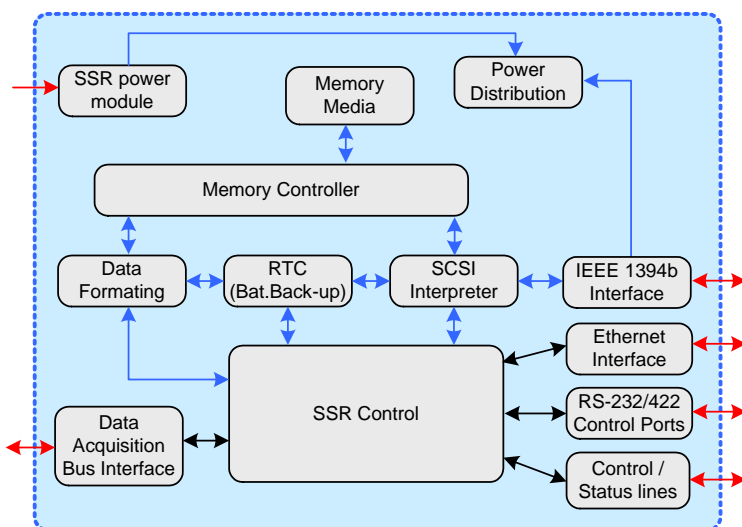


Characteristics:

- Rugged design for flight environment
- CF card storage.
- Ethernet Interface
- IEEE 1394b FireWire interface
- IRIG 106-07 ch. 10 compatibility.
- Storage speed up to 50Mbit/s.
- Operation temp.: -40°C - +85°C

Preliminary datasheet.

Functionality



- The SSR is configured either by using the EDDAS/Data Acquisition Bus or across dedicated control ports located at the recorder.
- The SSR receives the data stream from the system Data Acquisition Bus.
- The stored data can be retrieved on either an Ethernet port or a FireWire port, formatted as e.g. IRIG frames or Ch. 10 formatted.
- The SSR has a built in battery backup and RT clock to support requirements for Ch. 10 storage units
-