



## EDDAS – TM Module

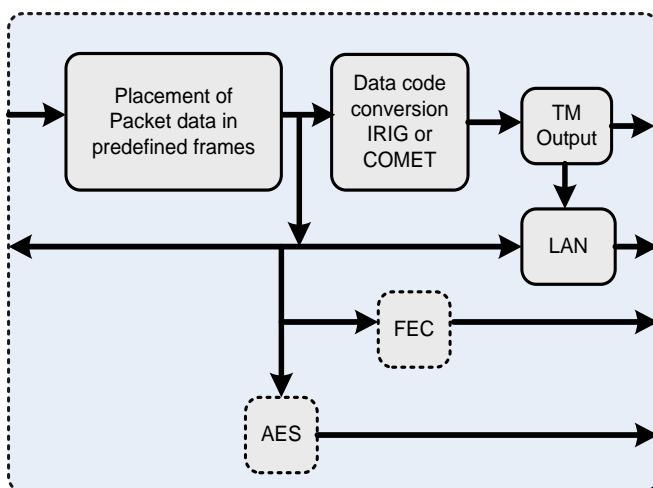
### EE 250-5304 TM Main



#### Characteristics:

- Rugged design for flight environment
- Support IRIG 106-07 formats.
- Support SAAB TM Comet format.
- Clock, NRZ-L and code outputs.
- Ethernet streaming data port. iNet Ready.
- RS-485 and Optocoupler outputs.
- Support data rates up to 50Mbit/s
- Operation temp.: -40°C to +85°C

#### Preliminary datasheet.



#### Functionality

- Packet streaming on Ethernet.
- Convert data packets from modules into IRIG 106-07 format output
- Master of frame synchronization in the system. Broadcast messages with start of frame time sent to all modules.
- Can have multiple TM modules in system.
- Optional piggyback board can be installed to give additional features like FEC or AES encryption of data stream.