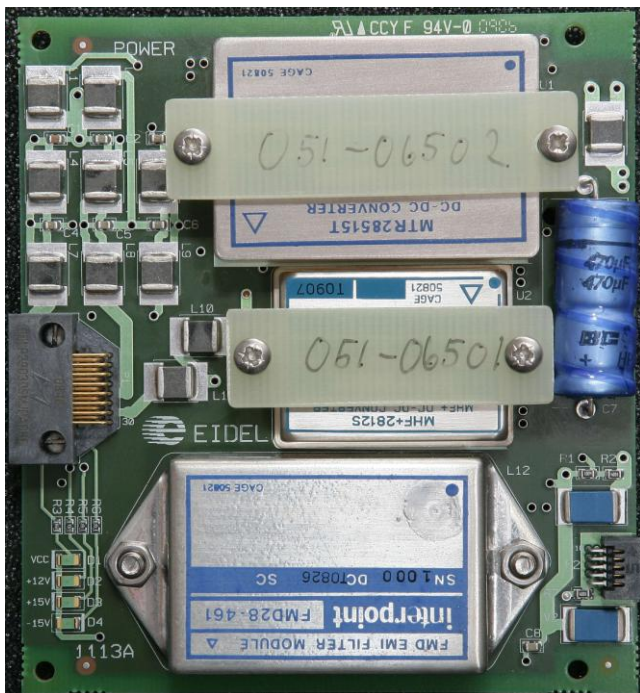


EDDAS – Power Module

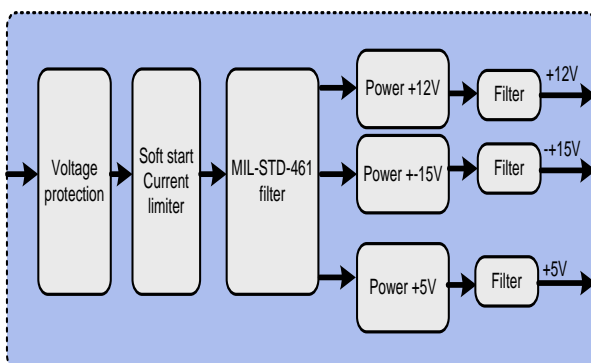
EE 250-5301 Power Module



Characteristics:

- Rugged design for flight environment
- Nominal input 28V DC
- Input Voltage protection.
- Mil-Std-461 input filter.
- Isolated outputs:
 - ±15V (10W), +12V (10W) and +5V (20W).
- All voltage outputs filtered.
- Operation temp.: -40°C to +85°C. At full power.

Preliminary datasheet.



Functionality

- Used to power all modules in an EDDAS Equipment unit.
- The power is equipped with “soft start” functionality to limit current at power on.
- Separate isolated 12V for analog bridge references.